

1A PAN

- 2: Man, Woman, Child
- 3: Small, Medium, Large
- 4: Standard, Orthogonal, Frontal, Blowing
- 5: Left, Full, Right




1B TMD

- 2: Man, Woman, Child
- 3: Small, Medium, Large
- 4: Frontal, Lateral
- 5: Left, Full, Right, Mouth Open, Mouth Closed

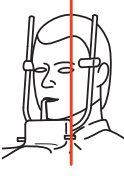
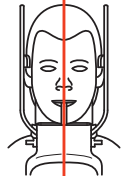

1C SINUS




- 2: Man, Woman, Child
- 3: Small, Medium, Large
- 4: Frontal, Lateral
- 5: Full

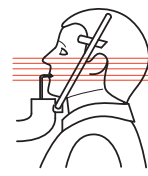
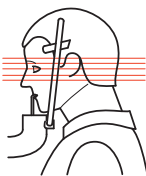
2

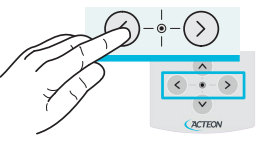
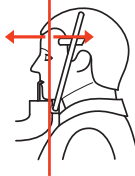
  


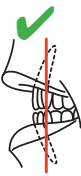

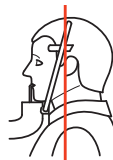
3

1A/1C **1B**

4

